

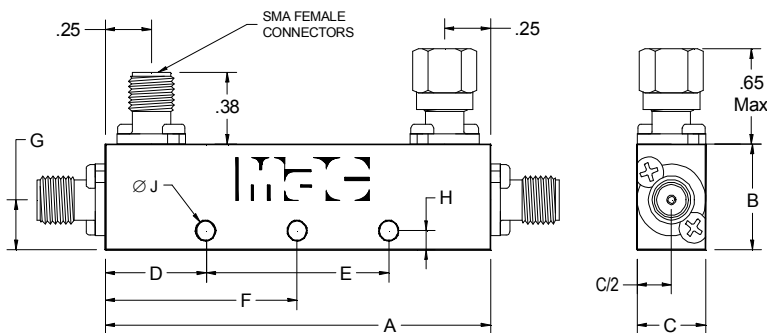
MAC Technology Inc.

WIDEBAND DIRECTIONAL COUPLERS

C2000-C4200 Series

Freq. Range [GHz]	Model No.	Coupling* [dB]	Freq. Sensitivity [dB]	Insertion Loss [dB max]		Directivity [dB min]	VSWR [max]		Power [Watts max]			Outline
				Excluding Coupled Power	True		Pri. Line	Sec. Line	Average Incident	Average Reflected	Peak	
0.5-2	C2023-6	6 ± 1.00	± .75	.35	2.00	23	1.20	1.20	50	2	3K	1
	C2023-10	10 ± 1.00	± .75	.35	.90	23	1.20	1.20	50	5	3K	1
	C2023-20	20 ± 1.00	± .75	.35	.40	23	1.20	1.20	50	50	3K	2
	C2023-30	30 ± 1.00	± .80	.40	.40	20	1.20	1.20	50	50	3K	17
1-4	C2034-6	6 ± 1.00	± .50	.35	2.00	23	1.20	1.20	50	2	3K	3
	C2034-10	10 ± 1.00	± .50	.35	.90	23	1.20	1.20	50	5	3K	3
	C2034-20	20 ± 1.00	± .50	.40	.45	23	1.20	1.20	50	50	3K	4
2-8	C2045-6	6 ± 1.00	± .30	.50	2.20	20	1.25	1.25	50	2	3K	5
	C2045-10	10 ± 1.00	± .30	.35	1.00	20	1.25	1.25	50	5	3K	5
	C2045-20	20 ± 1.00	± .40	.40	.45	20	1.25	1.25	50	50	3K	6
4-12.4	C2056-6	6 ± 1.00	± .30	.50	2.20	17	1.30	1.30	50	2	2K	7
	C2056-10	10 ± 1.00	± .30	.50	1.20	17	1.30	1.30	50	5	2K	7
	C2056-20	20 ± 1.00	± .40	.50	.55	17	1.30	1.30	50	50	2K	8
7-18	C2068-10	10 ± 1.25	± .75	.60	1.10	15	1.35	1.40	50	5	1K	9
6-18	C2068-20	20 ± 1.25	± .60	.60	.60	15	1.35	1.40	35	35	1K	9
0.6-4	C4224-10	10 ± 1.00	± .75	.40	.90	18	1.25	1.30	50	5	3K	10
1-18 [2]	C4238-10	10 ± 1.00	± .50	.90	1.50	1-12.4 12.4-18 15 12	1.40	1.50	25	5	1K	11
	C4238-16	16 ± 1.00	± .50	.80	.90	15 12	1.40	1.50	25	20	1K	12
	C4238-20	20 ± 1.00	± .50	.80	.90	15 12	1.40	1.50	25	25	1K	12
2-18 [2]	C4248-6	6 ± 1.00	± .50	.90	2.00	2-12.4 12.4-18 15 12	1.40	1.50	25	2	1K	13
	C4248-10	10 ± 1.00	± .50	.80	1.30	15 12	1.40	1.50	25	5	1K	13
	C4248-16	16 ± 1.00	± .50	.80	.90	15 12	1.35	1.40	25	20	1K	14
	C4248-20	20 ± 1.00	± .50	.80	.90	15 12	1.35	1.40	25	25	1K	14
4-18	C4258-6	6 ± 1.00	± .50	.90	2.00	4-12.4 12.4-18 15 12	1.35	1.40	25	2	1K	15
	C4258-10	10 ± 1.00	± .50	.80	1.00	15 12	1.35	1.40	25	5	1K	15
	C4258-20	20 ± 1.00	± .50	.60	.70	15 12	1.40	1.40	25	25	1K	16

* Includes frequency sensitivity. [2] Coupling relative to output power level. Specifications subject to change without notice.



OUTLINE	A	B	C	D	E	F	G	H	J
1	3.60	.53	.38	.50	2.60	-	.22	.075	.105
2	3.60	.60	.38	.50	2.60	-	.22	.075	.105
3	2.90	.68	.38	.45	2.00	-	.34	.15	.15
4	2.90	.60	.38	.45	2.00	-	.22	.075	.105
5	1.78	.68	.38	.45	.875	-	.34	.15	.15
6	1.88	.60	.38	.44	1.00	-	.22	.075	.105
7	1.22	.55	.38	.42	.375	-	.22	.075	.105
8	1.22	.60	.38	.42	.375	-	.22	.075	.105
9	1.00	.50	.38	-	-	.50	.22	.075	.105
10	4.40	.60	.38	.50	3.40	-	.24	.075	.105
11	3.47	.70	.38	.74	2.00	-	.26	.10	.105
12	3.47	.70	.50	.74	2.00	-	.26	.34	[1]
13	2.10	.70	.38	.55	1.00	-	.26	.10	.105
14	2.09	.70	.50	.55	1.00	-	.26	.34	[1]
15	1.36	.60	.38	.43	.50	-	.26	.09	.105
16	1.36	.66	.38	.43	.50	-	.26	.09	.105
17	3.70	.70	.38	.50	2.70	-	.22	.075	.105



MAC Technology Inc.
 3104 South Side Bypass
 Klamath Falls, OR 97603
 Tel: 541-883-3352, 800-428-0341
 Fax: 541-884-2752, 800-344-0846
 e-mail: sales@mactechnology.com