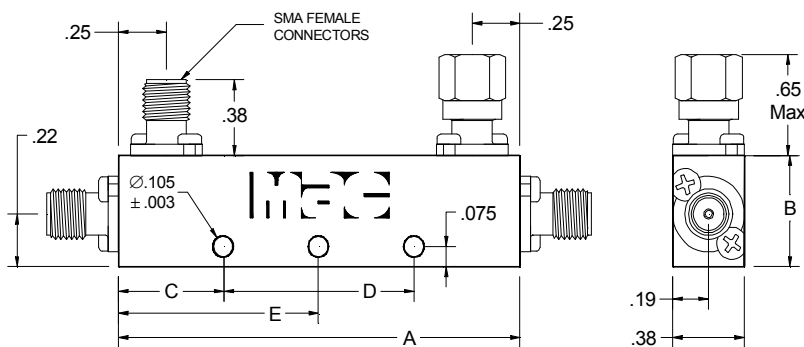


C3200 Series

Freq. Range [GHz]	Model No.	Coupling* [dB]	Freq. Sensitivity [dB]	Insertion Loss [dB max]		Directivity [dB min]	VSWR [max]		Power [Watts max]			Outline
				Excluding Coupled Power	True		Pri. Line	Sec. Line	Average Incident	Average Reflected	Peak	
0.5-1	C3202-6	6 ± 1.00	± .60	.20	1.80	25	1.15	1.15	50	2	3K	1
	C3202-10	10 ± 1.25	± .75	.20	.80	25	1.10	1.10	50	5	3K	1
	C3202-20	20 ± 1.25	± .75	.15	.20	25	1.10	1.10	50	50	3K	1
	C3202-30	30 ± 1.25	± .75	.15	.20	25	1.10	1.10	50	50	3K	2
1-2	C3203-6	6 ± 1.00	± .60	.20	1.80	25	1.15	1.15	50	2	3K	3
	C3203-10	10 ± 1.25	± .75	.20	.80	25	1.10	1.10	50	5	3K	3
	C3203-20	20 ± 1.25	± .75	.15	.20	25	1.10	1.10	50	50	3K	3
	C3203-30	30 ± 1.25	± .75	.15	.20	25	1.10	1.10	50	50	3K	4
2-4	C3204-6	6 ± 1.00	± .60	.20	1.80	22	1.15	1.15	50	2	3K	5
	C3204-10	10 ± 1.25	± .75	.20	.80	22	1.15	1.15	50	5	3K	5
	C3204-20	20 ± 1.25	± .75	.15	.20	22	1.15	1.15	50	50	3K	5
	C3204-30	30 ± 1.25	± .75	.15	.20	22	1.15	1.15	50	50	3K	6
2.6-5.2	C3245-6	6 ± 1.00	± .60	.20	1.80	20	1.25	1.25	50	2	3K	7
	C3245-10	10 ± 1.25	± .75	.20	.80	20	1.25	1.25	50	5	3K	7
	C3245-20	20 ± 1.25	± .75	.20	.25	20	1.25	1.25	50	50	3K	7
	C3245-30	30 ± 1.25	± .75	.20	.20	20	1.25	1.25	50	50	3K	8
4-8	C3205-6	6 ± 1.00	± .60	.25	1.90	20	1.25	1.25	50	2	3K	7
	C3205-10	10 ± 1.25	± .75	.25	.90	20	1.25	1.25	50	5	3K	7
	C3205-20	20 ± 1.25	± .75	.25	.30	20	1.25	1.25	50	50	3K	7
	C3205-30	30 ± 1.25	± .75	.25	.25	20	1.25	1.25	50	50	3K	8
7-12.4	C3206-6	6 ± 1.00	± .50	.30	2.00	17	1.30	1.30	50	2	3K	7
	C3206-10	10 ± 1.00	± .50	.30	1.00	17	1.30	1.30	50	5	3K	7
	C3206-20	20 ± 1.00	± .50	.30	.35	17	1.30	1.30	50	50	3K	7
	C3206-30	30 ± 1.00	± .50	.30	.30	17	1.30	1.30	50	50	3K	8
7.5-16	C3267-6	6 ± 1.00	± .60	.60	2.20	15	1.35	1.40	50	2	2K	7
	C3267-10	10 ± 1.25	± .75	.60	1.20	15	1.35	1.40	50	5	2K	7
	C3267-20	20 ± 1.25	± .75	.60	.65	15	1.35	1.40	50	50	2K	9
	C3267-30	30 ± 1.25	± .75	.60	.60	15	1.35	1.40	50	50	2K	9
12.4-18	C3207-6	6 ± 1.00	± .50	.60	2.20	12	1.35	1.40	50	2	1K	7
	C3207-10	10 ± 1.00	± .50	.60	1.20	12	1.35	1.40	50	5	1K	7
	C3207-20	20 ± 1.00	± .50	.60	.65	15	1.35	1.40	50	50	1K	9
	C3207-30	30 ± 1.00	± .50	.60	.60	15	1.35	1.40	50	50	1K	9

* Includes frequency sensitivity. Specifications subject to change without notice.



OUTLINE	A	B	C	D	E
1	3.10	.50	.80	1.50	-
2	3.10	.55	.80	1.50	-
3	1.78	.50	.42	.94	-
4	1.78	.55	.42	.94	-
5	1.16	.50	.41	.34	-
6	1.16	.55	.41	.34	-
7	1.00	.50	-	-	.50
8	1.00	.55	-	-	.50
9	1.00	.60	-	-	.50



MAC Technology Inc.
 3104 South Side Bypass
 Klamath Falls, OR 97603
 Tel: 541-883-3352, 800-428-0341
 Fax: 541-884-2752, 800-344-0846
 e-mail: sales@mactechnology.com