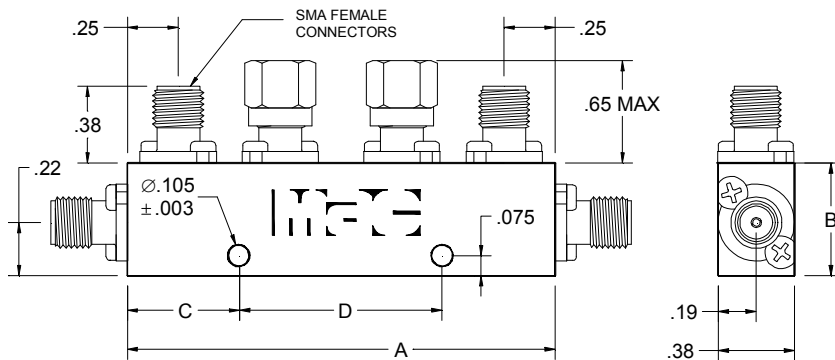


MAC Technology Inc. DUAL OCTAVE-BAND DIRECTIONAL COUPLERS

C3500 Series

Freq. Range [GHz]	Model No.	Coupling* [dB]	Freq. Sensitivity [dB]	Insertion Loss [dB max]	Directivity [dB min]	VSWR [max]		Power [Watts max]		Outline
						Pri. Line	Sec. Line	Average	Peak	
0.5-1	C3502-10	10 ± 1.25	± .80	1.50	22	1.15	1.10	10	3K	1
	C3502-20	20 ± 1.25	± .80	0.50	22	1.15	1.10	50	3K	1
	C3502-30	30 ± 1.25	± .80	0.40	22	1.15	1.10	50	3K	2
1-2	C3503-10	10 ± 1.25	± .80	1.50	22	1.15	1.10	10	3K	3
	C3503-20	20 ± 1.25	± .80	0.50	22	1.15	1.10	50	3K	3
	C3503-30	30 ± 1.25	± .80	0.40	22	1.15	1.10	50	3K	4
2-4	C3504-10	10 ± 1.25	± .80	1.50	20	1.20	1.15	10	3K	5
	C3504-20	20 ± 1.25	± .80	0.50	20	1.20	1.15	50	3K	5
	C3504-30	30 ± 1.25	± .80	0.40	20	1.20	1.15	50	3K	6
2.6-5.2	C3545-10	10 ± 1.25	± .80	1.50	18	1.30	1.25	10	3K	7
	C3545-20	20 ± 1.25	± .80	0.50	18	1.30	1.25	50	3K	7
	C3545-30	30 ± 1.25	± .80	0.40	18	1.30	1.25	50	3K	8
4-8	C3505-10	10 ± 1.25	± .80	1.70	18	1.35	1.25	10	3K	7
	C3505-20	20 ± 1.25	± .80	0.50	18	1.35	1.25	50	3K	7
	C3505-30	30 ± 1.25	± .80	0.40	18	1.35	1.25	50	3K	8
7-12.4	C3506-10	10 ± 1.25	± .60	1.90	16	1.35	1.30	10	3K	7
	C3506-20	20 ± 1.25	± .60	0.70	16	1.35	1.30	50	3K	7
	C3506-30	30 ± 1.25	± .60	0.60	16	1.35	1.30	50	3K	8
8-16	C3567-10	10 ± 1.25	± .80	2.20	15	1.40	1.40	10	2K	7
	C3567-20	20 ± 1.25	± .80	1.00	15	1.40	1.40	50	2K	9
	C3567-30	30 ± 1.25	± .80	1.00	15	1.40	1.40	50	2K	9
12.4-18	C3507-10	10 ± 1.25	± .80	2.20	15	1.40	1.40	10	1K	7
	C3507-20	20 ± 1.25	± .60	1.00	15	1.40	1.40	50	1K	9
	C3507-30	30 ± 1.25	± .60	1.00	15	1.40	1.40	50	1K	9

* Includes frequency sensitivity. Specifications subject to change without notification.



OUTLINE	A	B	C	D
1	6.30	.50	.80	4.70
2	6.30	.55	.80	4.70
3	3.68	.50	.42	2.82
4	3.68	.55	.42	2.82
5	2.42	.50	.41	1.60
6	2.42	.55	.41	1.60
7	2.10	.50	.50	1.10
8	2.10	.55	.50	1.10
9	2.10	.60	.50	1.10



MAC Technology Inc.
 3104 South Side Bypass
 Klamath Falls, OR 97603
 Tel: 541-883-3352, 800-428-0341
 Fax: 541-884-2752, 800-344-0846
 e-mail: sales@mactechnology.com